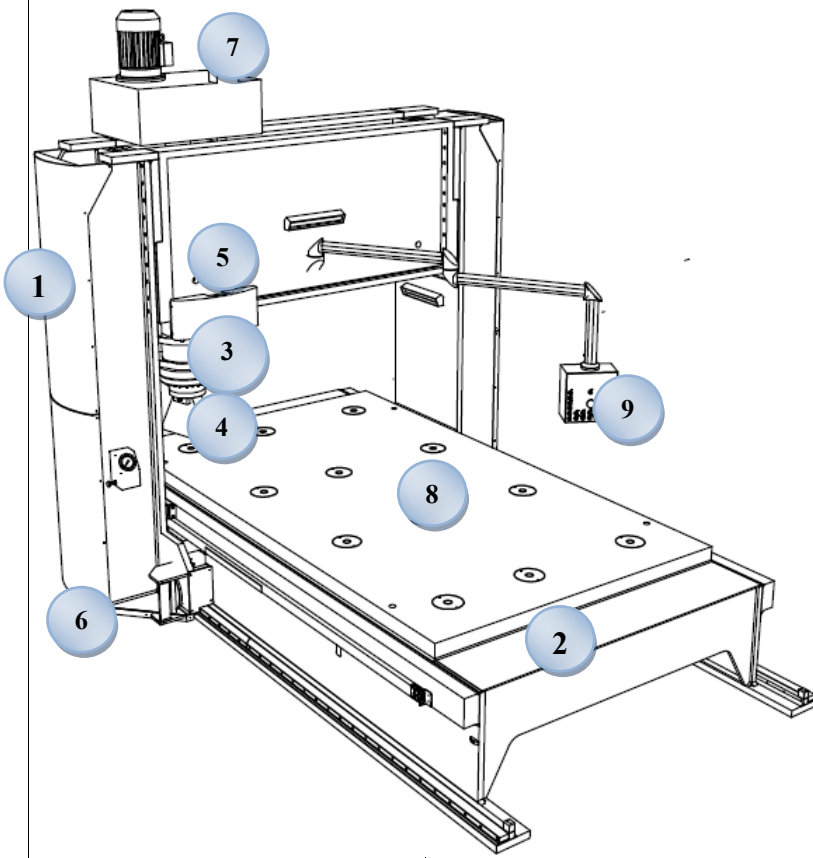


## OLEODYNAMIC PRESS MAIN COMPONENTS



n°	COMPONENT
1	MOVABLE VERTICAL ROD
2	WORKING BED
3	OIL-PRESSURE CYLINDER
4	RAM
5	CYLINDER TRUCK
6	MOVEMENT GROUP
7	OIL-PRESSURE UNIT
8	LIFTING PISTONS
9	COMMAND CONSOLE