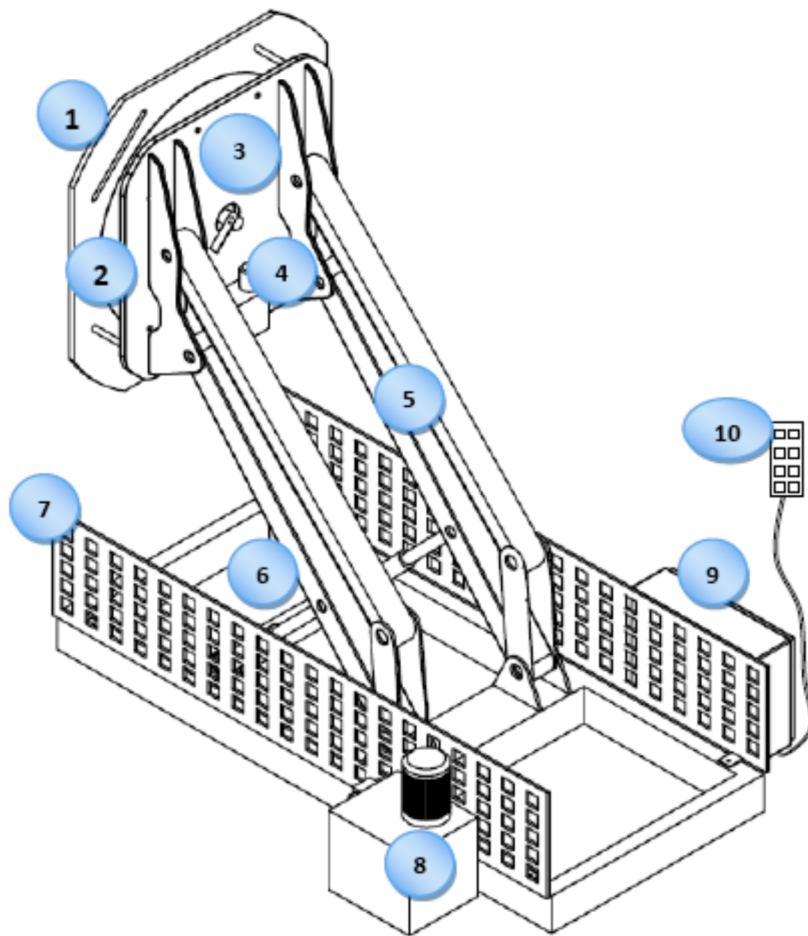


COMPONENTI PRINCIPALI ROTOLIFT



n°	COMPONENT
1	WORKPIECE SUPPORTING TABLE
2	BALL-BEARING FIFTH WHEEL
3	ROTATING MASS
4	GEAR-MOTOR
5	LIFT MASTS
6	LIFT CYLINDERS
7	PROTECTION NET
8	OIL-PRESSURE UNIT
9	ELECTRICAL PANEL
10	SWITCHBOARD